

4000SERIES WITH SEAT SLIDER



FEATURES

- Seat Depth Range: 19" - 22"
- Seat Height From 18" - 21"
- Deluxe Comfort Headrest
- Adjustable Seat Back, Angle to 21°
- 4D Armrests, Height/Width/Length/Angle Adjustable
- Adjustable Air Lumbar System
- Knee Tilt Recliner with Adjustable Tension & 7 Locking Positions
- Heavy Duty Gas Shock, Height Adjustable
- Heavy Duty 5-Star Base with Double Wheeled Casters

USER RATINGS

- Weight Rating: Up To 400 lbs.
- User Height: 5'7" & Taller

WARRANTY

- 10-Year Warranty on Frame
- 5-Year Warranty on All Mechanicals
- 3-Year Warranty on Covers and Foam

OPTIONS (PICTURED BELOW)

- 2D Armrests, Height/Width Adjustable
- Heavy Duty Tilt-Up Armrests, Height/Tilt Adjustable
- Standard Comfort Headrest
- Polished Aluminum Base



UNITED GROUP
INCORPORATED

MANUFACTURER CONTACT:
+1.847.816.7100 | ironhorseseating.com
13700 Polo Trail Drive | Lake Forest, IL 60045

FOR MORE INFORMATION : WWW.IRONHORSESEATING.COM

4000SERIES WITH SEAT SLIDER



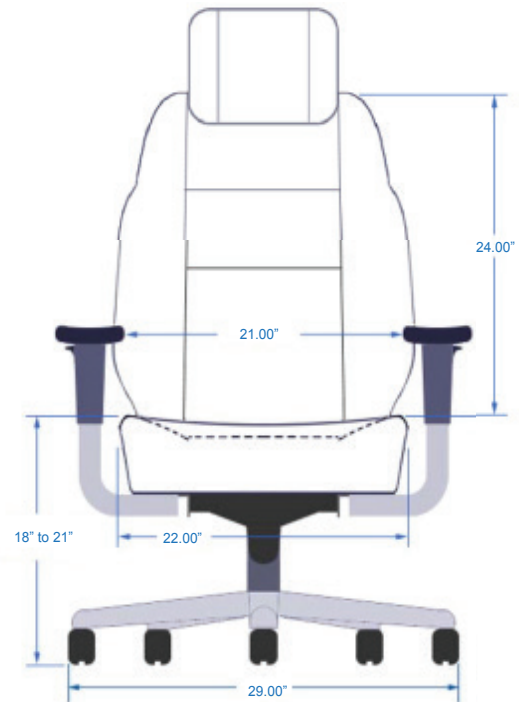
IRON HORSE SEATING INTENSIVE USE OFFICE CHAIRS BUILT TO LAST.

IRON HORSE Seating 24-Hour Chairs are engineered to withstand the demanding environments of control rooms, surveillance rooms, and dispatch centers. The IRON HORSE Seating 4000 Series with Seat Slider features the latest ergonomic designs and commercial grade components.

Through extensive market knowledge and known customer requirements, these chairs are engineered to exceed your expectations. The ergonomic excellence of the IRON HORSE Seating intensive use products have been developed to meet the demands of 24 hour, multi-shift environments.

UNITED GROUP
INCORPORATED

Shown with Deluxe Comfort
Headrest option



Notes:
19" to 22" Seat Cushion Depth
4" Headrest Height Adjustment Range
Seat Cushion Height:
Regular Shock Option - Seat Cushion Height 18" to 21"

MANUFACTURER CONTACT:

+1.847.816.7100 | ironhorseseating.com
13700 Polo Trail Drive | Lake Forest, IL 60045

FOR MORE INFORMATION : WWW.IRONHORSESEATING.COM