

BIG & TALL



FEATURES

- Adjustable Comfort Neckroll
- Adjustable Seat Back, Angle to 45°
- HD Tilt-Up Armrests
- Adjustable Air Lumbar System
- European Black Leather
- Knee Tilt Recliner with Adjustable Tension
- Heavy Duty Gas Shock, Height Adjustable
- Heavy Duty 5-Star Base with Double Wheeled Casters

USER RATINGS

- Weight Rating: 400 lbs.
- User Height: 5'9" - 6'8"

WARRANTY

- 10-Year Warranty on Frame
- 5-Year Warranty on All Structural Components
- 3-Year Warranty on Covers and Foam

OPTIONS (PICTURED BELOW)

- 2D Armrests, Height/Width Adjustable
- Black Aluminum Base
- 4D Armrests, Height/Width/Length/Angle Adjustable
- Polished Aluminum Base

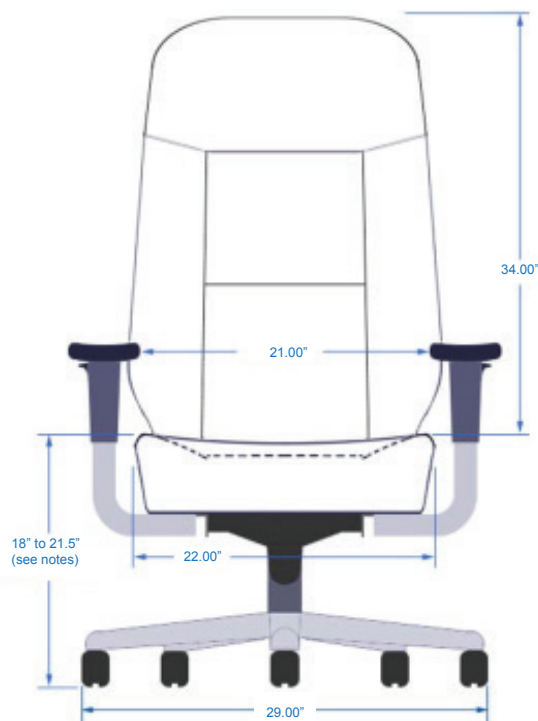


UNITED GROUP
INCORPORATED

MANUFACTURER CONTACT:
+1.847.816.7100 | ironhorseseating.com
13700 Polo Trail Drive | Lake Forest, IL 60045

FOR MORE INFORMATION : WWW.IRONHORSESEATING.COM

BIG & TALL



Notes:
20" or 21" seat cushion depth
Seat Cushion Height:
Regular Shock Option - Seat Cushion Height 18" to 21"
Short Shock Option - Seat Cushion Height 17" to 20"
Tall Shock Option - Seat Cushion Height 19" to 23"

IRON HORSE SEATING INTENSIVE USE OFFICE CHAIRS BUILT TO LAST.

IRON HORSE Seating 24-Hour Chairs are engineered to withstand the demanding environments of control rooms, surveillance rooms, and dispatch centers. The IRON HORSE Seating Big & Tall features the latest ergonomic designs and commercial grade components.

Through extensive market knowledge and known customer requirements, these chairs are engineered to exceed your expectations. The ergonomic excellence of the IRON HORSE Seating intensive use products have been developed to meet the demands of 24-hour, multi-shift environments.

UNITED GROUP
INCORPORATED

MANUFACTURER CONTACT:
+1.847.816.7100 | ironhorseseating.com
13700 Polo Trail Drive | Lake Forest, IL 60045

FOR MORE INFORMATION : WWW.IRONHORSESEATING.COM